



City of Stratford

805 Shakespeare Avenue, PO Box 218

Stratford, Iowa 50249

Phone 515-838-2311 Fax 515-838-2315

Email: cityofstratford@globalccs.net Website: stratfordiowa.com

FAQ's on Fluoride in the Stratford Municipal Water Supply

Is Stratford's Water Safe to Drink? Yes! The notices sent quarterly with the newsletters (and shown below) contain the required wording written by the Iowa Department of Public Health. Community water systems that exceed the fluoride level of 2.0 mg/L (the EPA minimum level) must provide special fluoride public notice to persons served. A recent sample taken from Stratford's water supply contained a fluoride level of 2.47 mg/L.

Does Stratford Add Fluoride to the Drinking Water? No. The fluoride in Stratford's water is naturally occurring. This water supply obtains its water from the limestone and dolomite of the Mississippian Aquifer. The aquifer was determined to have low susceptibility to contamination because the characteristics of the aquifer and overlying materials provide natural protection from contaminants at the land surface.

What is an Unsafe Fluoride Level? The maximum level set by the Environmental Protection Agency (EPA) is 4.0 mg/L. Drinking water containing more than 4.0 mg/L can increase the risk of certain health issues. Stratford's drinking water does not contain unsafe fluoride levels but Stratford is required to notify persons served when a sample exceeds the 2.0 mg/L minimum.

~~~~~ IMPORTANT INFORMATION ABOUT YOUR DRINKING WATER ~~~~~

This notice being sent by the Stratford Muni Water Dept. PWSID# 4051002.

### Elevated Fluoride Levels Detected

Fluoride in children's drinking water at levels of approximately 1 mg/L reduces the number of dental cavities. However, some children exposed to levels of fluoride greater than about 2.0 mg/L may develop dental fluorosis. Dental fluorosis, in its moderate and severe forms, is a brown staining or pitting of the permanent teeth, or both.

Because dental fluorosis occurs only when developing teeth (before they erupt from the gums) are exposed to elevated fluoride levels, households without children are not expected to be affected by this level of fluoride.

Families with children under the age of nine are encouraged to seek other sources of drinking water for their children to avoid the possibility of staining and pitting.

Your water supplier can lower the concentration of fluoride in your water so you will still receive the benefits of cavity prevention while the possibility of stained and pitted teeth is minimized. Removal of fluoride may increase your water costs. Treatment systems are also commercially available for home use. Information on such systems is available at the address given by your public water supplier. Low fluoride bottled drinking water that would meet all standards is also commercially available.

For more information, please contact Stratford City Hall Water Department at 515-838-2311. Some home water treatment units are also available to remove fluoride from drinking water. In Iowa, home water treatment units are regulated under 641—Chapter 14, with the water treatment unit registration program administered by the Iowa department of public health's environmental health division. In addition, you may call the National Sanitation Foundation (NSF) International, at 1-877-867-3435. *Please share this information with all the other people who drink this water, especially those who may not have received this notice directly (for example, people in apartments, nursing homes, schools, and businesses*

## CITY OF STRATFORD HAPPENINGS....

- **Remember to recycle!** - There are items that must not be put into a recycling bin. Your recycling will not be picked up if a "no-no" is in your recycling bin. City Hall has a list of items that can and cannot be recycled. This list can also be found on the stratfordiowa.com website under the City Government tab – utilities & forms.
- **Electrical Outage Procedures** - If experiencing an electrical power outage during City Hall's business hours of 8:00 – 4:30 p.m., call 515-838-2311. When experiencing an electrical power outage after hours at your place of residence, call Maintenance Supervisor, Dan Ostrem at 515-290-6942. If the whole town is experiencing an electrical power outage and Maintenance Staff doesn't answer, call Hamilton County Dispatch at 515-832-9500; or Midland Power Cooperative's emergency number, 1-800-286-2268. If all else fails, call 911.
- **Call Iowa One Call** - One Call a few days before digging: 800-292-8989 or 811. It's free and it's a State of Iowa law.
- **City has debit or credit card capability now!** - Pay your utility bills using all major credit and debit cards or pay your utility bills online at <http://stratfordiowa.com/city-government/pay-city-utility-bill/> or in-person at City Hall. You can now pay your utility bill electronically thru the City of Stratford's website stratfordiowa.com. There is a service charge of 2.65%.
- **Stratford Trick or Treat night** – Stratford's Trick or Treat night is on Saturday, October 31st from 5 – 7 p.m. Watch out for all the little kiddos.
- **Pet Licenses** – Pet Licenses are due annually May 30<sup>th</sup> of each year. Each dog or cat three months or older needs to be licensed according to the City of Ordinance. The cost is \$5.00 per animal. Please visit City Hall with a copy of your animal's vaccination certificate from a licensed veterinarian today.
- **City Website** – Check out the City of Stratford website where you subscribe to alerts and public notices!

---

### PROJECT SHARE — Add a "PS" to help a neighbor

Many of our less fortunate neighbors are worried about keeping their families warm during the winter season. You can do something to help through **PROJECT SHARE**. Project Share is a plan that helps needy households pay a portion of their energy bills. Add a regular "PS" contribution to your monthly utility payments or make a direct donation. Your contribution is voluntary, flexible, and tax-deductible. To participate, simply call 515-838-2311, stop in at City Hall in Stratford.

---

### NOTICE TO ELECTRIC UTILITY CUSTOMER

The Iowa Utilities Board (IUB) is a utility regulatory agency. If you have questions or complaints regarding your utility service, you may contact a utility representative at City of Stratford, 805 Shakespeare Ave., Stratford, IA 50249, 515-838-2311, or email [cityofstratford@globalccs.net](mailto:cityofstratford@globalccs.net). If your complaint is related to service disconnection, safety, or renewable energy, and we do not resolve it, you may request assistance from the Iowa Utilities Board: call 877-565-4450 (toll free); or write to 1375 East Court Avenue, Room 69, Des Moines, IA 50319-0069; or email [customer@iub.iowa.gov](mailto:customer@iub.iowa.gov). Low-income customers may also be eligible for free legal assistance from Iowa Legal Aid, and may contact Legal Aid at 1-800-532-1275.

---

**The Low Income Home Energy Assistance Program (LIHEAP)** is designed to assist low-income families with the cost of home heating. Applications are accepted on a first-come / first-serve basis as posted at your local community action office. The Community Action Agency for Stratford is Upper Des Moines Opportunity. A household may qualify for assistance in this program if its' income falls within a prescribed income range. When you apply, bring proof of income for the last 3 months, including verification of any fixed income such as Social Security benefits and Aid to Families with Dependent Children; a copy of your federal income tax return; and copies of your heating and electric bills. For more information, contact your local community action office located in Webster City, IA, 50595; 515-832-6451 or write to LIHEAP Community Action Department of Human Rights, IA Dept. of Human Rights, Capitol Complex, Des Moines, IA 50319

# Grain Bin Clearance Guidelines

## Thinking about building a grain bin?

Source: The 2017 Edition National Electrical Safety Code (NESC), the 2012 NESC, and the American National Standards Institute (ANSI C2-2012).

If you're planning to build or move a grain bin, either on your property or for someone else, you need to be familiar with Iowa's law on required distances from overhead electric lines. This law was put in place to provide protection from the hazard of contacting overhead electric lines to anyone working around grain bins with augers, elevators, or other equipment.

The drawings inside this brochure show the specific clearance requirements related to permanently installed augers and portable augers. There must be at least 18 feet between the top of any grain bin and any overhead electric lines. These distances were developed by the American National Standards Institute. Figure 232.4(b) can be found in the 2017 Edition National Electrical Safety Code (NESC) and the 2012 NESC. As your electric service provider, we're responsible for ensuring that these specifications are met. In fact, in any situation where minimum clearance requirements are not observed, the utility may refuse electric service.

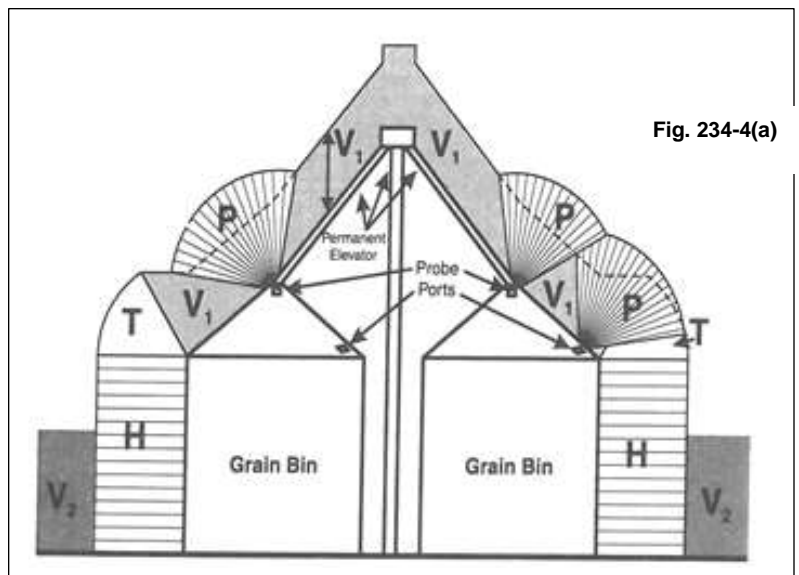
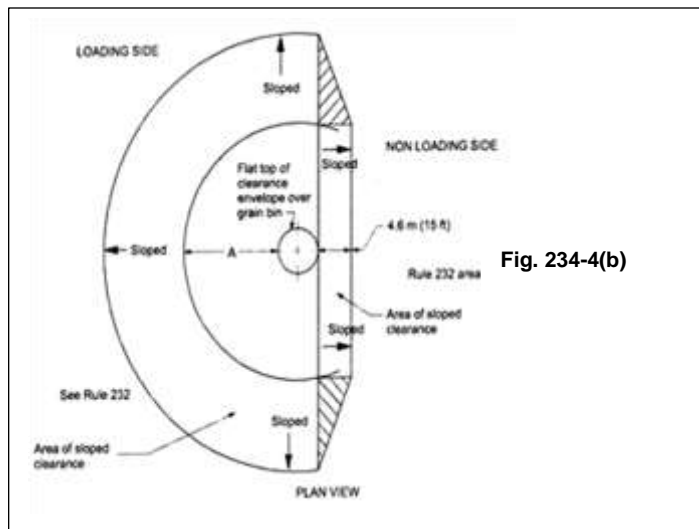
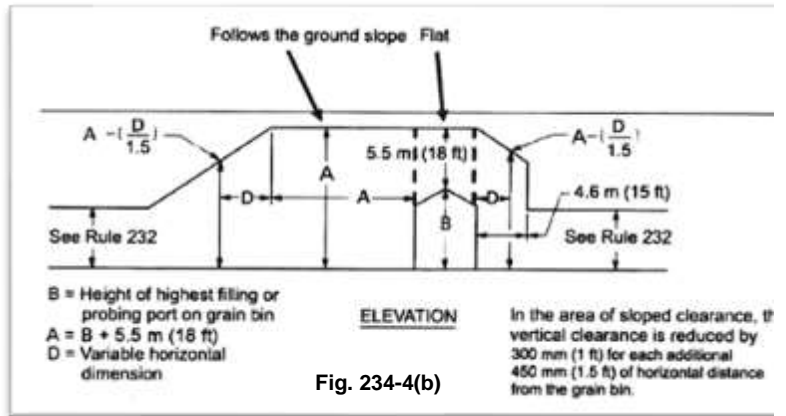
So if a new grain bin is on your list of projects, please give us a call. We will work with you in developing a site plan for your project.

\*\*\*\*\*

### Fig. 234-4(a) -- Clearance Envelope for Grain Bins Filled by Permanently Installed Augers, Conveyors, or Elevators

- P = probe clearance 5.5m (18 ft.)
- H = horizontal clearance 4.6m (15 ft.)
- T = transition clearance
- $V_1$  = vertical clearance above a building required by Rule 234C (Table 234-1)
- $V_2$  = vertical clearance above land required by Rule 232B (Table 232-1 or 232-2)

### Figs. 234-4(b) Clearance Envelope for Grain Bins Filled by Portable Augers, Conveyors, or Elevators





Notice to Stratford Residents:  
**HOUSING REHABILITATION  
ASSISTANCE AVAILABLE**

The City of Stratford is accepting applications for their Community Development Block Grant (CDBG) funded housing rehabilitation program. The objective of the program is the preservation of the City's housing stock through the rehabilitation of single-family home-ownership units located within the incorporated limits of the City of Stratford.

To apply, all of the following minimum requirements must be met:

1. The applicant must occupy the property to be assisted as their principal place of residence and must own the property (Ownership means holding Title to the property).
2. The applicant must have owned and resided in the property to be assisted at least six (6) months prior to the date of application for assistance and cannot be a under a contract sale.
3. The assisted property must be located within the targeted area as identified on map below.
4. The applicant must be current with regard to their mortgage payments, real estate taxes and utility payments associated with the property.
5. The assisted property must be hooked up to public water and sewer.
6. The assisted property must be covered by property insurance in an amount equal to or greater than the current assessed value of the property.
7. The assisted property must be free from garbage, debris, refuse, building materials, and abandoned non-operational or junk vehicles.
8. The household income must meet the program income guidelines listed below:

\*This is a forgivable loan paid back by living in the home assisted for five years after the project has been completed.

**INCOME GUIDELINES**

| Family Size | Gross Yearly<br>Household Income Limit |
|-------------|----------------------------------------|
| 1           | \$41,100                               |
| 2           | \$47,000                               |
| 3           | \$52,850                               |
| 4           | \$58,700                               |
| 5           | \$63,400                               |
| 6           | \$68,100                               |
| 7           | \$72,800                               |
| 8           | \$77,500                               |

Applications are available at the Stratford City Hall, 805 Shakespeare Ave, Stratford, Iowa. Please contact Rick Peugh at MIDAS Council of Governments (515) 576-7183, ext. 214. Applications will be processed and verified on a first come first serve basis.

# SEASONAL REMINDER



The Stratford Public Works Department would like to remind residents not to blow grass, leaves, or other debris into the street. These can potentially cause clogging of the storm sewers which may result in flooding and can result in costly repairs which are ultimately paid for by the tax payers. Rain waters push grass, leaves and other debris that has blown into the street, down the curb line and into the storm drains. Stratford's Code of ordinance is as follows:

**135.03 PLACING DEBRIS ON.** It is *unlawful* for any person to throw or deposit on any street or alley any glass, glass bottle, nails, tacks, wire, cans, trash, garbage, rubbish, litter, offal, **leaves, grass** or any other debris likely to be washed into the storm sewer and clog the storm sewer, or any substance likely to injure any person, animal or vehicle.

*(Code of Iowa, Sec. 321.369)*

Storm drains and storm sewers need to remain clear of grass, leaves, and other debris to allow storm waters to leave your area and drain out through the storm sewer system rather than backing up and causing flooding in your area.

If you have grass clippings and yard debris the city has a **yard waste only** site for the citizens of Stratford. Come up to City Hall and ask for a key to access the City owned debris site. Anyone living within Stratford's city limits may take **yard debris, grass clippings, leaves and small branches no larger than 4 inches in diameter**, to the site.



**Please remember that when SNOW is in the air and on the ground, there are a couple of City Ordinances that need to be followed.**

**135.12 DUMPING OF SNOW.** It is unlawful for any person to throw, push, or place or cause to be thrown, pushed or placed, any ice or snow from private property, sidewalks, or driveways onto the traveled way of a street or alley so as to obstruct gutters, or impede the passage of vehicles upon the street or alley or to create a hazardous condition therein; except where, in the cleaning of large commercial drives in the business district it is absolutely necessary to move the snow onto the street or alley temporarily, such accumulation shall be removed promptly by the property owner or agent. Arrangements for the prompt removal of such accumulations shall be made prior to moving the snow.

*(Code of Iowa, Sec. 364.12 [2])*

To facilitate the City's snow removal efforts, all vehicles must be moved from public streets, alley, or parking areas until all snow for that area has been cleared away.



The Stratford Public Library continues to be open for carry out and curbside service. You can also come completely into the library. If you choose to come inside, we ask that you sanitize your hands and wear a mask.

The library will be hosting Iowa author, Linda McCann on Thursday, November 12 at 2:00 P.M. Linda will be speaking about the Civilian Conservation Corps in Iowa and she will have all of her book titles available for purchase. Linda is a very interesting speaker; you will not want to miss this event. (Social distancing will be followed, masks required to attend.)

The library's fall Story on a Stick will be held Oct 23-30. Maps will be available at the library. Each child who completes the story get a prize!

# City of Stratford

805 Shakespeare Avenue  
Stratford, IA 50249-0218  
Phone: 515-838-2311  
cityofstratford@globalccs.net  
Hours M – F 8 am – 4:30 pm

PRSORT STD  
U.S. POSTAGE  
PAID  
STRATFORD, IA  
PERMIT #15

## *LOSST- Local Option Sales & Service Tax*

LOSST is Local Option Sales and Service Tax which will sunset in June of 2020. LOSST is a 1% tax that you are already pay. The revenues go toward 75% infrastructure and 25% municipal pool renovations. Due to a law change the earliest the Local Option Sales and Service Tax question can be placed on the ballot is a special election to be held on March 2, 2021. Local Option Sales and Service Tax is not a new tax. Local Option Sales and Service Tax has been collected since July 2002 and is not an additional tax. These funds have paid for street paving projects and pool upgrades.

City Council is requesting that the allocations be divided between infrastructure and pool renovations so that these dollars will **continue** to improve city infrastructure; such as the sanitary sewer mains and water mains; streets; and pool upgrades.

This public measure is a request to **renew** the Local Option Sales & Service Tax. This tax currently needs to be renewed every ten years. If the measure for the Local Option Sales & Service Tax is not approved in Stratford, you will still pay the tax in towns that have approved it but you will not receive any benefit from it. Use you right to vote.